



PREMIER VERTICAL TRANSMISSION JACK

MODEL NO: PTJ30, PTJ75, PTJ120

Thank you for purchasing a Sealey product. Manufactured to a high standard, this product will, if used according to these instructions, and properly maintained, give you years of trouble free performance.

IMPORTANT: PLEASE READ THESE INSTRUCTIONS CAREFULLY. NOTE THE SAFE OPERATIONAL REQUIREMENTS, WARNINGS & CAUTIONS. USE THE PRODUCT CORRECTLY AND WITH CARE FOR THE PURPOSE FOR WHICH IT IS INTENDED. FAILURE TO DO SO MAY CAUSE DAMAGE AND/OR PERSONAL INJURY AND WILL INVALIDATE THE WARRANTY. KEEP THESE INSTRUCTIONS SAFE FOR FUTURE USE.



Refer to instructions



Wear safety footwear

1. SAFETY

- ❑ **WARNING!** Ensure all preliminary checks are carefully carried out before use of jack. Immediately repair or replace damaged parts (use authorised service agent). Ensure use of genuine parts only. Non authorised parts may be dangerous and will invalidate the warranty.
- ❑ **WARNING!** Use jack on level and solid ground, preferably concrete.
- ▲ **DANGER! DO NOT** use on tarmacadam, or any other soft surface as jack may sink or topple. Serious personal or fatal injury may result.
- ▲ **DANGER!** If jack tips or leans STOP WHAT YOU ARE DOING. MOVE QUICKLY TO A SAFE DISTANCE. DO NOT TRY TO HOLD OR STEADY JACK. Serious personal or fatal injury may result.
- ✓ Use jack in an adequate working area for its function, keep area clean & tidy and free from unrelated materials.
- ✓ Ensure there is adequate lighting.
- ✓ Before use ensure the gearbox weight and size does not exceed the capacity of the jack.
- ✓ Ensure the vehicle is raised and stabilised at the correct height before attempting to move the jack under the vehicle.
- ✓ Keep all unauthorised persons away from the jack during lifting and lowering and when in transit.
- ✓ Maintain correct balance and footing. Ensure the floor is not slippery and wear non slip shoes.
- ✓ Remove ill fitting clothing. Remove ties, watches, rings, and other loose jewellery, and contain and/or tie back long hair.
- ❑ **WARNING!** Ensure load is placed level and centrally on jack saddle and load is fixed in place before attempting to lift, lower, or transport.
- ✓ The lowering speed will vary according to the weight of the load and the release valve setting.
- ✓ Diligence is required in ensuring that you continually monitor any operation until completed.
- * **DO NOT** exceed the rated capacity of the jack.
- * **DO NOT** allow untrained persons to operate the jack.
- * **DO NOT** place any part of your body within or under the jack during use.
- * **DO NOT** raise or lower vehicle lifting platform whilst the transmission jack is being used.
- * **DO NOT** transport the jack, with or without a load, with the saddle in the raised position.
- * **DO NOT** get jack wet or use in damp or wet locations or areas where there is condensation.
- * **DO NOT** operate the jack when you are tired, under the influence of alcohol, drugs or intoxicating medication.
- * **DO NOT** lift or support vehicles with jack and do not use jack as a load sustaining device.
- * **DO NOT** use jack for any purpose other than removal, transportation, installation of transmissions.
- * **DO NOT** move jack without suitable restraint on the load.
- * **DO NOT** make any modifications to the jack, and DO NOT adjust or tamper with safety valve.
- * **DO NOT** remove any labels from the jack. If labels are damaged or unclear replace them.
- ✓ Use a qualified person to lubricate and maintain the jack.
- * **DO NOT** use brake fluid to top up hydraulic unit. Use Sealey hydraulic oil only.
- ✓ Lower saddle to the lowest position before storing in safe area, ensure all parts are clean, free of grease and oil.

2. INTRODUCTION

Professional transmission jack with foot pedal operation for raising and lowering, leaves hands-free for other related tasks. Provides a smooth, controlled lowering of the load with dead man's principal preventing accidental operation. Nylon wheels provide quieter, smoother manoeuvrability and help prevent damage to workshop floors. Includes patented 2-in-1 saddle that, when reversed, acts as a high-density foam jacking pad. Handle incorporates tray for fasteners and tools.

3. SPECIFICATION

MODEL NO:	PTJ30	PTJ75	PTJ120
Base Size:	630 x 630mm	720 x 720mm	720 x 720mm
Capacity:	300kg	750kg	1200kg
Fixed/Adjustable Saddle:	Fixed	Fixed	Fixed
Maximum Saddle Height:	1990mm	1930mm	1925mm
Minimum Saddle Height:	1140mm	1110mm	1110mm
Ram Extensions:	1	1	1

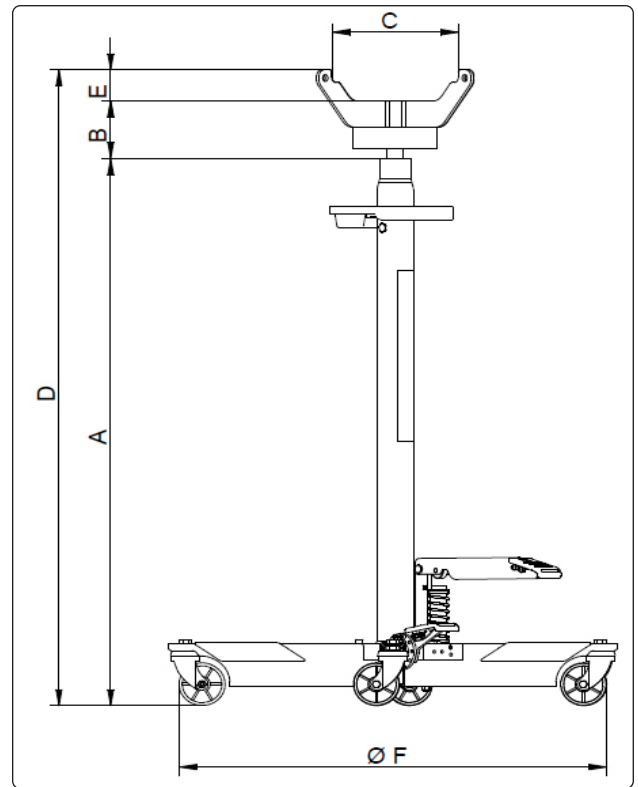
4. CAPACITY

Capacity Kg	300	750	1200
A	1140	1110	1110
B	850	820	815
C	315	315	315
D	1990	1930	1925
E	60	60	60
ØF	630	720	720
Oil Volume	600cm ³	800cm ³	1100cm ³

5. ASSEMBLY

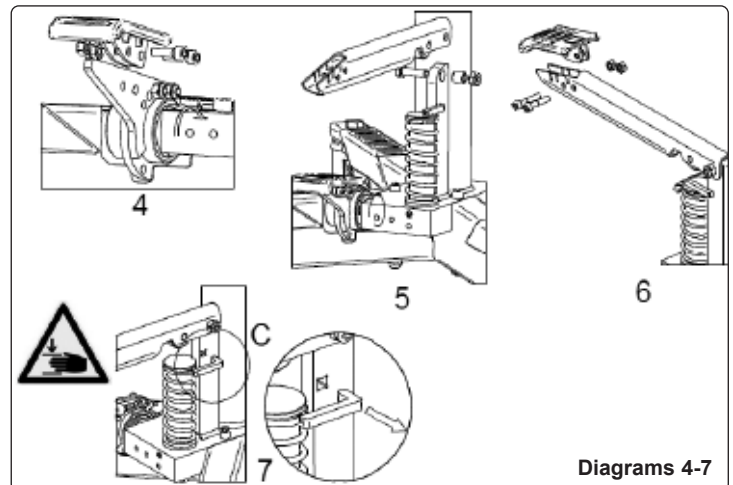
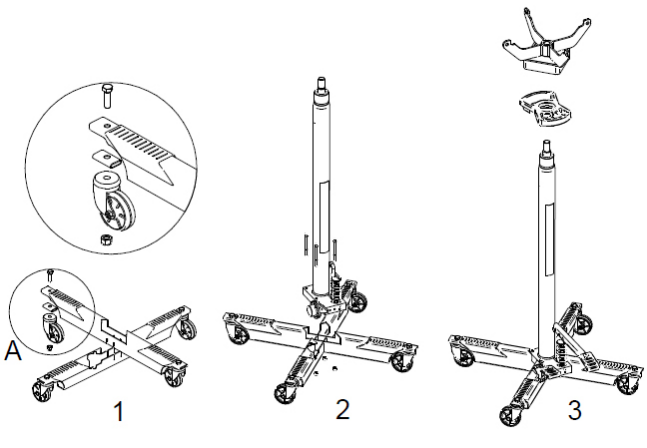
Refer to attached Parts List

- 5.1. Fix castors to base unit using bolts supplied and position base unit diagram 1.
- 5.2. Secure hydraulic unit to base unit using bolts supplied diagram 2.
- 5.3. Attach handle and support by sliding over end of hydraulic unit diagram 3.
- 5.4. Assemble release pedal diagram 4.
- 5.5. Assemble the lifting pedal diagram 5 and 6
- 5.6. Take care in removing transport pin so as not to trap fingers diagram 7.



6. OPERATION

Diagrams 1-3



- 6.1. Prior to using the jack air will need to be eliminated from the hydraulic system. To do this help from another person is recommend to apply pressure to the release pedal, simultaneously hold the jack by the handle and apply pressure on the lifting pedal. Then by releasing the release pedal the jack is ready for operation.
 - 6.1.1. Fix the position of the jack in relation to the gearbox or part to be removed so that when the piston is lifted, the stand is centred.
 - 6.1.2. Prior to proceeding with the lowering, installation or movement of the gearbox, it is necessary to secure it on the lifting stand.
 - 6.1.3. The jack support is lifted by applying pressure/pumping the lifting pedal and lowered by applying pressure on the release pedal. To prevent jerky motion when lowering the jack is fitted with a system which regulates and controls the lowering operation.
- WARNING!** Prior to each use, check for bent, broken, cracked or loose parts and withdraw the jack from service if it is suspected that the jack has been subjected to abnormal loads or has suffered any knocks.
- 6.2. Once the jack has been used, the piston should be fully retracted to avoid corrosion

7. MAINTENANCE

- 7.1. Maintenance and repair should only be carried out by a qualified person.
- 7.2. Clean and lubricate the moving parts of the jack at regular intervals. The jack should be kept clean and protected from aggressive conditions at all times.
- 7.3. If the oil level needs to be checked or refilled, proceed as follows: With the jack in the vertical position and the piston fully retracted, remove the filler plug, which is indicated with a star, and drain its contents into a container. Position the jack in a horizontal position, proceed to introduce the necessary volume indicated in the table. Then reinsert the filler plug. An excess of oil over the volume required may affect the operation of the jack.
- 7.4. Only use hydraulic oil (HJO500MLS), HL or HM type, with an ISO grade of cinematic viscosity of 30cSt at 40°C or of an Engler viscosity of 3 at 50°C. Never use brake fluid.
- 7.5. Following a period of prolonged intensive use, it is recommended to change the oil in order to extend the useful life of the jack. When the jack is not in use, the piston should be fully retracted to avoid corrosion. It is recommended to apply an anti-corrosion product to the main piston and particularly to the pump. Store the device in a dry, clean place out of the reach of children.
- 7.6. At the end of the useful life of the jack, drain off the oil and hand it over to an authorised agent and dispose of the remaining parts in accordance with local regulations.



ENVIRONMENT PROTECTION

Recycle unwanted materials instead of disposing of them as waste. All tools, accessories and packaging should be sorted, taken to a recycling centre and disposed of in a manner which is compatible with the environment. When the product becomes completely unserviceable and requires disposal, drain any fluids (if applicable) into approved containers and dispose of the product and fluids according to local regulations.



REGISTER YOUR
PURCHASE HERE

Note: It is our policy to continually improve products and as such we reserve the right to alter data, specifications and component parts without prior notice.

Important: No Liability is accepted for incorrect use of this product.

Warranty: Guarantee is 36 months from purchase date, proof of which is required for any claim.

Jack Sealey Ltd t/a Sealey Group, Kempson Way, Suffolk Business Park, Bury St Edmunds, Suffolk, IP32 7AR UK
Jack Sealey (EU) Ltd t/a Sealey Group, Farney Street, Carrickmacross, Co. Monaghan, A81 PK68 Ireland
Tel: 01284 757500 • Email: sales@sealey.co.uk • Web: www.sealey.co.uk